



Turning raw BIM data  
into easy-to-use information and actionable insights  
for every construction professional

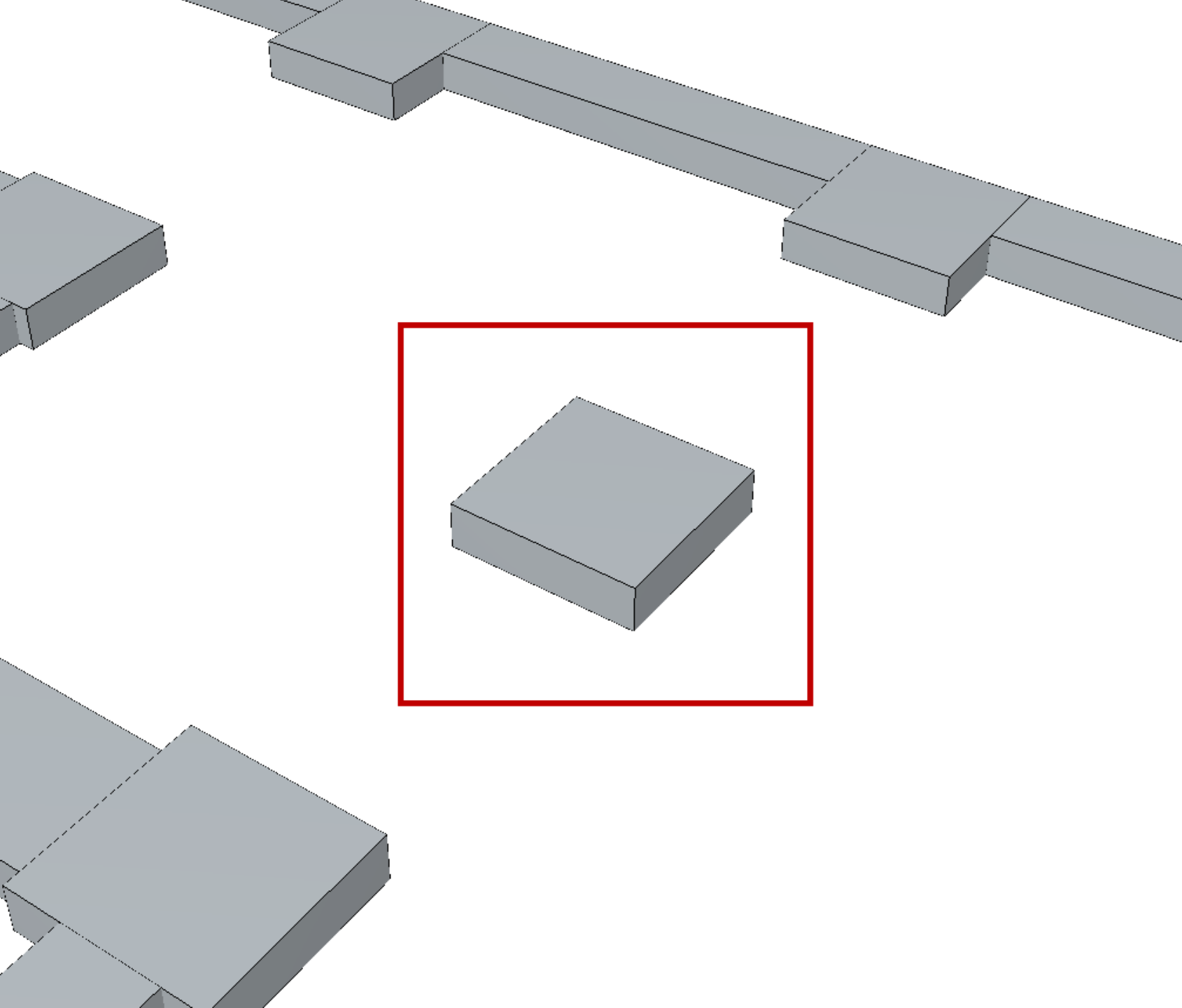
Sakari Lehtinen, Co-Founder of Datacubist Oy

# Simplebim®



MacBook Pro





Data for  
location based  
scheduling?

The Big Question?

# Standardize

Area per tons	2,40m2
Area Sides Net	<no value>
Assembly Level	Leaf
Bottom...	+78.300
Building...	<no value>
Building Storey	Foundation
Building...	Perustukset
Class	302
Consumption	<no value>
Container...	PILARIANTURA
Container...	Element Assembly
Cross section...	4,00m2
Description	2000*2000
Gross...	4,00m2
Gross surface...	12,00m2
Gross volume	2,00m3
Gross weight	5 000,0kg
Height	2 000mm
Height	2 000mm
Layer...	PILARIANTURA
Length	500mm
Length	500mm
Material	<no value>
Name	PAD FOOTING
Name...	CONCRETE/Concrete_Und...
Net surface...	12,00m2
Net volume	2,00m3
Net weight	5 000,0kg
Object Class	Footing
Object type	2000*2000
Outer surface...	12,00m2
Phase	1
Predefined...	NOTDEFINED
Profile	2000*2000
Section	<no value>
Status	<no value>
Tag	ID3544d384-e4ad-4e58-9885...
Task	<no value>
Top elevation	+78.800
Type	PFOOT
Volume	<no value>
Weight	5 000,0kg
...	...



Area Sides Net	<no value>
Building Storey	Foundation
Consumption	<no value>
Material	<no value>
Profile	2000*2000
Section	<no value>
Task	<no value>
Type	PFOOT
Volume	<no value>
Work Hours	<no value>

# Normalize

Area Sides Net	<no value>		Area Sides Net	<no value>
Building Storey	Foundations		Building Storey	Foundations
Consumption	<no value>		Consumption	<no value>
Material	CONCRETE/Concrete_Undefined	→	Material	CONCRETE
Profile	2000*2000		Profile	2000*2000
Section	B		Section	B
Task	<no value>		Task	<no value>
Type	PFOOT	→	Type	PAD FOOTING
Volume	<no value>		Volume	<no value>
Work Hours	<no value>		Work Hours	<no value>

The Big Opportunity!

# Classify

Area Sides Net	< no value >
Building Storey	Foundations
Consumption	< no value >
Material	CONCRETE
Profile	2000*2000
Section	B
Task	< no value >
Type	PAD FOOTING
Volume	< no value >
Work Hours	< no value >

Area Sides Net	< no value >
Building Storey	Foundations
Consumption	< no value >
Material	CONCRETE
Profile	2000*2000
Section	B
Task	Concrete Pour
Type	PAD FOOTING
Volume	< no value >
Work Hours	< no value >





# Calculate Quantities

Area Sides Net	<no value>
Building Storey	Foundations
Consumption	<no value>
Material	CONCRETE
Profile	2000*2000
Section	B
Task	Concrete Pour
Type	PAD FOOTING
Volume	<no value>
Work Hours	<no value>



Area Sides Net	4,00m <sup>2</sup>
Building Storey	Foundations
Consumption	<no value>
Material	CONCRETE
Profile	2000*2000
Section	B
Task	Concrete Pour
Type	PAD FOOTING
Volume	2,00m <sup>3</sup>
Work Hours	<no value>



# Connect to Other Data Sources

Area Sides Net	4,00m <sup>2</sup>
Building Storey	Foundations
Consumption	<no value>
Material	CONCRETE
Profile	2000*2000
Section	B
Task	Concrete Pour
Type	PAD FOOTING
Volume	2,00m <sup>3</sup>
Work Hours	<no value>



Area Sides Net	4,00m <sup>2</sup>
Building Storey	Foundations
Consumption	0,2
Material	CONCRETE
Profile	2000*2000
Section	B
Task	Concrete Pour
Type	PAD FOOTING
Volume	2,00m <sup>3</sup>
Work Hours	<no value>

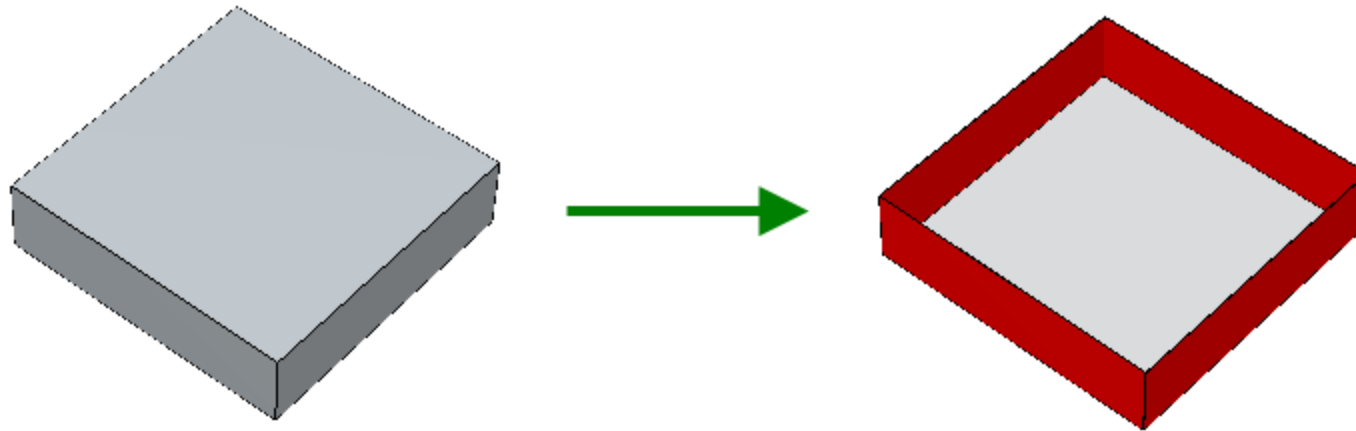
# Derive New Data

Area Sides Net	4,00m2
Building Storey	Foundations
Consumption	0,2
Material	CONCRETE
Profile	2000*2000
Section	B
Task	Concrete Pour
Type	PAD FOOTING
Volume	2,00m3
Work Hours	< no value >

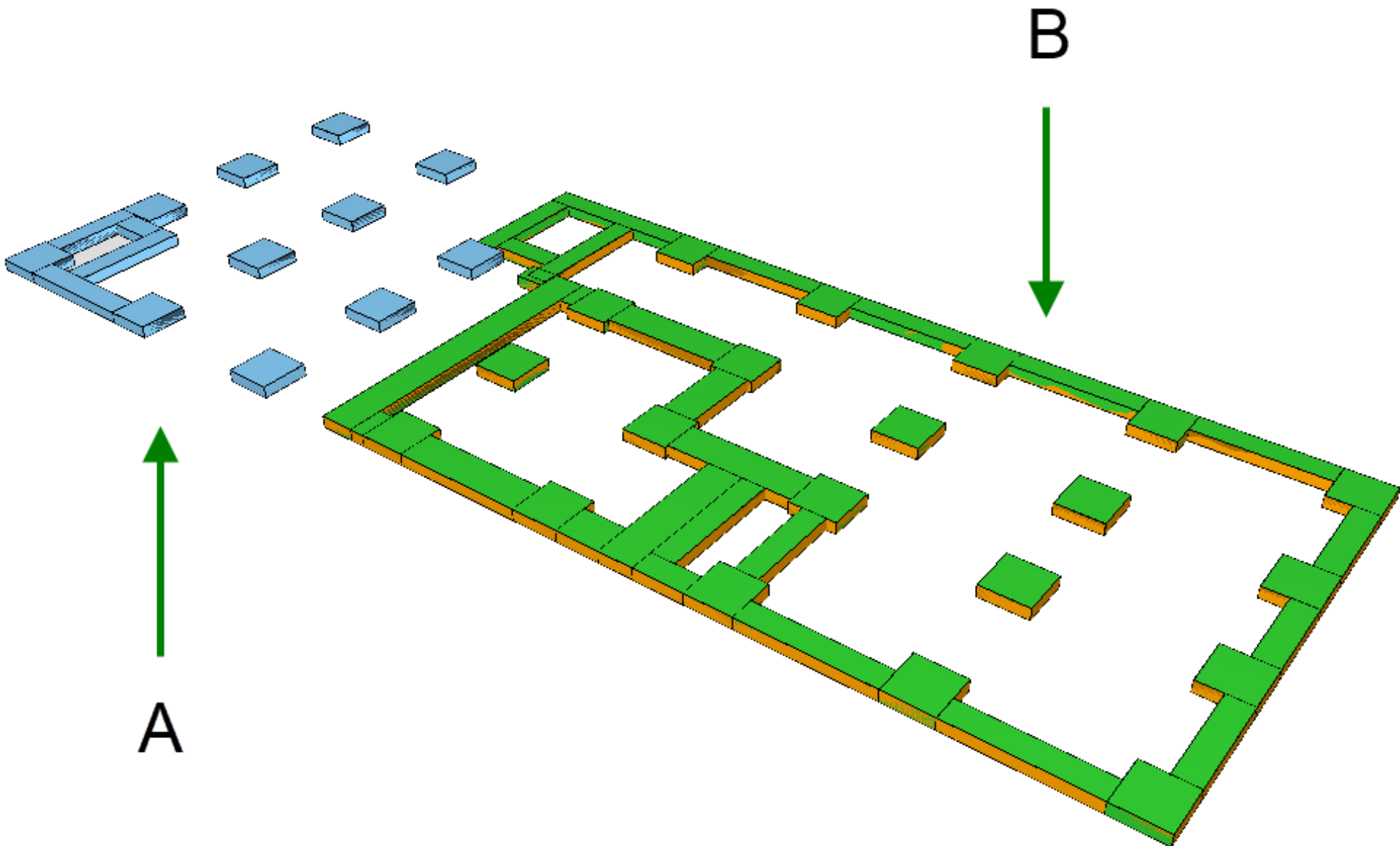


Area Sides Net	4,00m2
Building Storey	Foundations
Consumption	0,2
Material	CONCRETE
Profile	2000*2000
Section	B
Task	Concrete Pour
Type	PAD FOOTING
Volume	2,00m3
Work Hours	0,40h

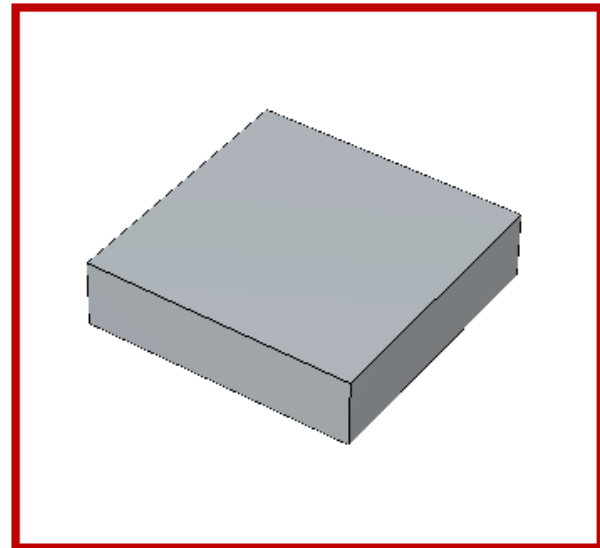
# Derive New Objects



# Define Locations



HUH!



Area Sides Net	4,00m <sup>2</sup>
Building Storey	Foundations
Consumption	0,2
Material	CONCRETE
Profile	2000*2000
Section	B
Task	Concrete Pour
Type	PAD FOOTING
Volume	2,00m <sup>3</sup>
Work Hours	0,40h







m<sup>3</sup>,  
kg

€



Turning raw BIM data  
into easy-to-use information  
for every construction professional

# Questions?

- How does it work in practise?
- How about BIM Requirements?
- Issue Management?
- iTwo and other BIM platforms?
- AI?
- ...?



**Sakari Lehtinen**

[www.simplebim.com](http://www.simplebim.com)



**Jarmo Kuusinen**

Thank you!